

Features HBSBL-10

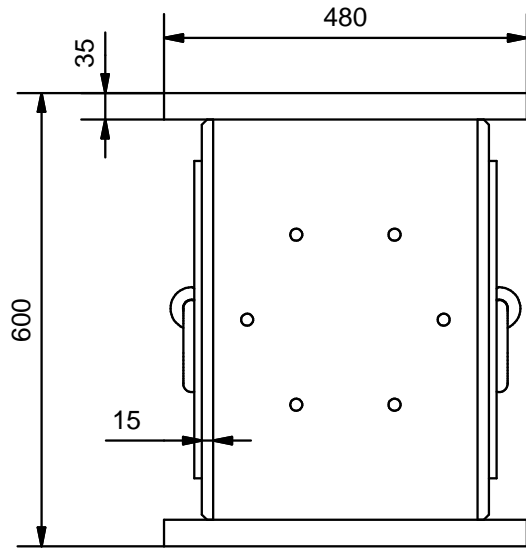
SWL (max. in centre): 800 kN (180 kips)

Capacity off centre as per load chart

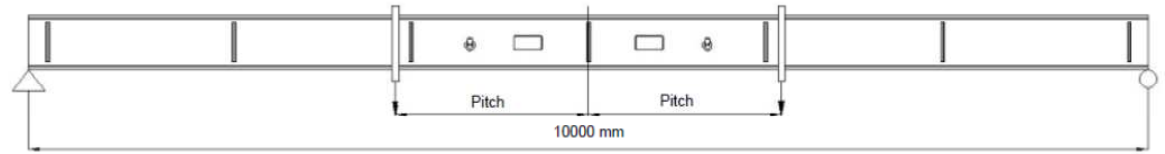
Self Weight: 4100 kg (9039 lbs)

Model Number HBSBL-10 includes set of two beams

Front view (1:10)

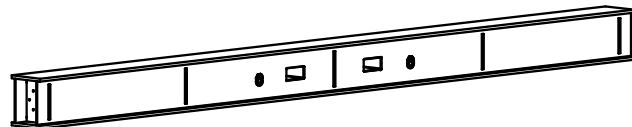
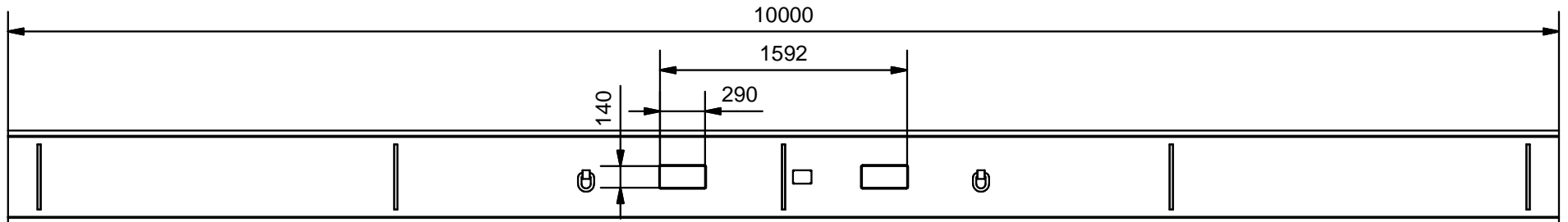
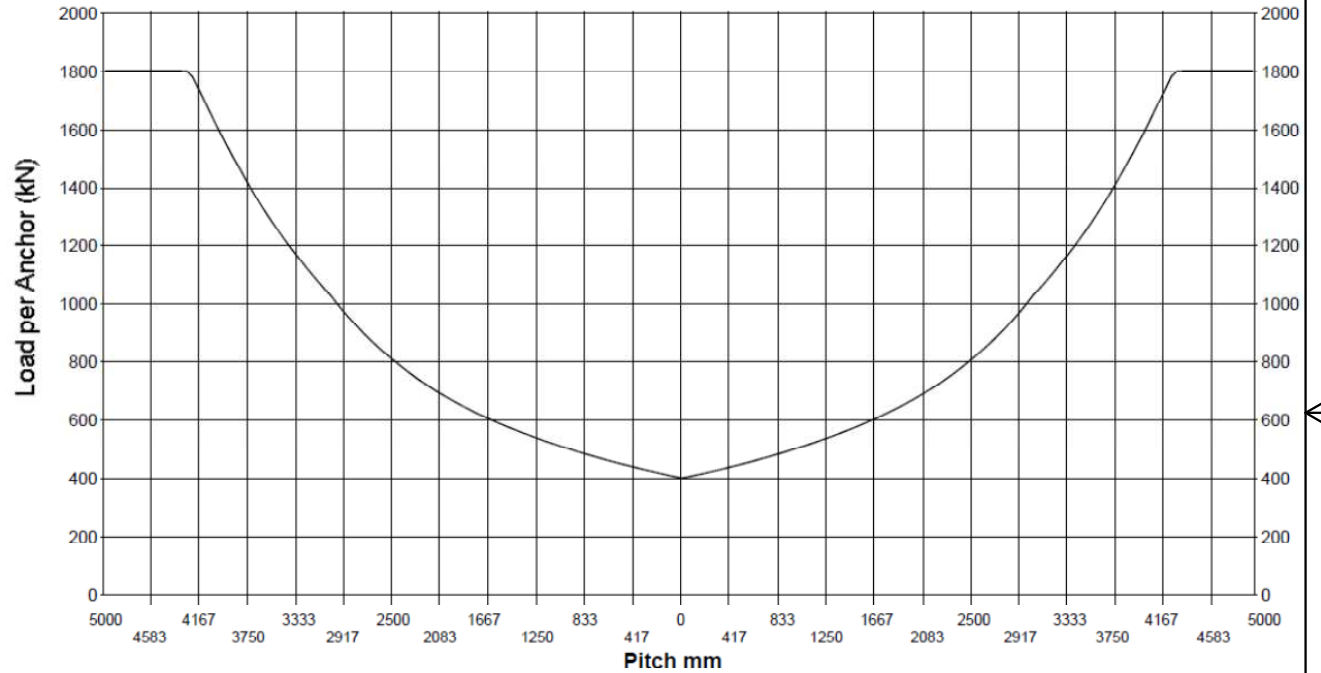


Load Chart



Load per Anchor

Note: if load applied in centre, load is to be multiplied by 2



OPAALSTRAAT 44, 7554 TS HENGELO HOLLAND
 PO BOX 421, 7550 AK HENGELO HOLLAND
 TELEPHONE 074-2422045 FACSIMILE 074-2430338

ENERPAC
 COPYRIGHTS RESERVED

3rd ANGLE PROJECTION

Model Number: **HBSBL-10**

Drawing Number: **02940.50.00.00**

Main Assembly Number: **02940.01.00.00**

REV.: **0** DATE: **31-10-2013** SCALE: **1:40** FORM: **A4**